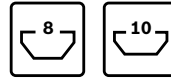


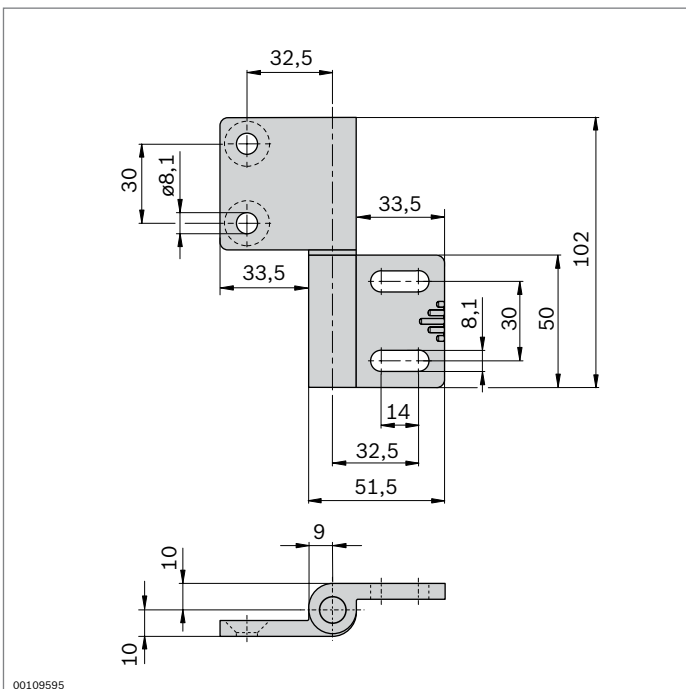
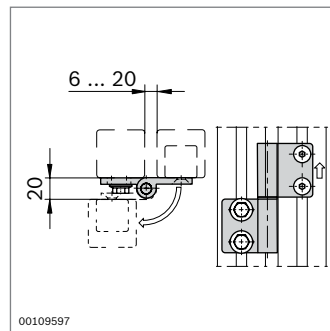
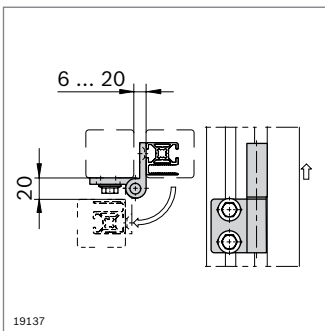
Hinge, adjustable

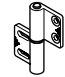


- ▶ For constructing large, heavy doors
- ▶ Adjustable for compensating clearance tolerances
- ▶ Removable
- ▶ For left and right stop
- ▶ opening angle approx. 180°

Accessories:

T-nut slot 10, M8 (p. 3-4) for fixing a door with 10 mm slot



Hinge, adjustable	No.	FS
	2 3 842 544 562	2xFS1, 2xFS2

Material: diecast aluminum
 Fastening material: steel; galvanized
 Scope of delivery: incl. fastening material (FS)

